

TopVent® TW

Design, installation and operation



Air curtain

1 Use	3
1.1 Intended use	3
1.2 User group	3
2 Safety	4
2.1 Operational safety	4
3 Construction and operation	5
3.1 Unit construction	5
3.2 Operating modes	6
4 Technical data	8
4.1 Flow rate, product parameters	8
4.2 Heat output	8
4.3 Sound data	9
4.4 Dimensions and weights	9
4.5 Specification text	9
5 Transport and installation	10
5.1 Delivery	10
5.2 Requirements for the installation site	10
5.3 Installation	11
5.4 Hydraulic installation	14
5.5 Electrical installation.	15
6 Operation	19
6.1 Initial commissioning	19
6.2 Operation	19
7 Maintenance and repair	20
7.1 Safety	20
7.2 Maintenance.	20
7.3 Repair	20
8 Dismantling	21
9 Disposal	21

1 Use

1.1 Intended use

TopVent® TW units are air curtains for protecting entrance areas against the cold. They have the following functions:

- Heating (with connection to a hot water supply)
- Recirculation operation
- Air distribution via outlet nozzle

Intended use also includes compliance with the operating instructions. Any usage over and above this use is considered to be not as intended. The manufacturer can accept no liability for damage resulting from improper use.

1.2 User group

The units are only allowed to be installed, operated and maintained by authorised and instructed personnel who are well acquainted with the units and are informed about possible dangers.

The operating instructions are for operating engineers as well as specialists in building, heating and ventilation technology.

2 Safety

Symbols

**Caution**

This symbol warns against risk of injury. Please heed all instructions designated by this symbol to prevent injuries and/or death.

**Attention**

This symbol warns against property damage. Please heed the respective instructions to prevent risk of damage to the unit and its functions.

**Notice**

This symbol denotes information about the economic use of the equipment or special tips.

2.1 Operational safety

The unit is built to conform to the state-of-the-art and is operationally safe. Despite every precaution being taken, potential and not immediately obvious risks always remain, for example:

- Dangers when working with the electrical system
- Parts (e.g. tools) can fall down below when working on the ventilation unit.
- Malfunctions as a result of defective parts
- Hazards from hot water when working on the hot water supply

Therefore:

- Please read the operating instructions before unpacking, installing, commissioning and before maintaining the equipment.
- Store the operating instructions so that they are easily accessible.
- Observe any attached information and warning signs.
- Immediately replace damaged or removed informational and warning signs.
- Follow the local safety and accident prevention regulations at all times.
- Disconnect the power supply and wait at least 5 minutes before opening the unit.
- When working in the unit, take precautions against unprotected, sharp metal edges.
- The unit may only be installed, operated and serviced by authorised, trained and instructed skilled personnel:
 - Specialists as defined by these operating instructions are those persons who, based on their training, knowledge and experience as well as their knowledge of the relevant regulations and guidelines, can carry out the work assigned to them and recognise potential hazards.
- Unauthorised reconfiguration or modification of the unit is not permitted.

3 Construction and operation

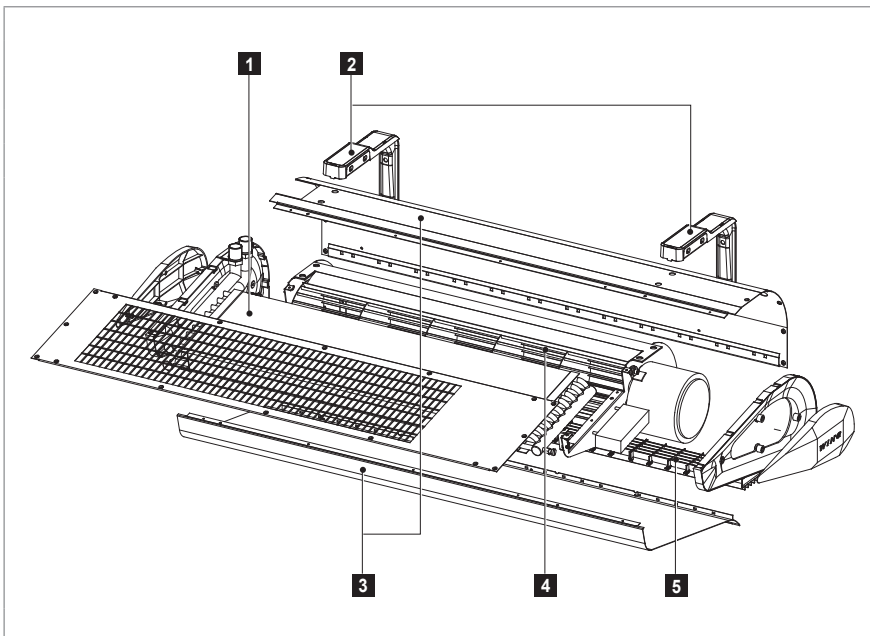
The TopVent® TW serves as an air curtain to protect entrance areas against the cold. The unit is installed over or next to the door. It takes in room air, heats it by means of the heating coil and blows it back into the room at a high speed. This creates a barrier of flowing air, which protects the indoor climate from external influences.

There are 3 unit sizes, which are each equipped with an infinitely variable fan and a custom-made heating coil.

3.1 Unit construction

The TopVent® TW consists of the following components:

- Heat exchanger consisting of copper tubes and aluminium fins
- Tangential fan with energy-saving EC motor and flow-optimised rotor, infinitely variable, maintenance-free and quiet with a high degree of efficiency
- Compact casing made of galvanised sheet steel
- Suspension set for vertical or horizontal installation of the unit
- Outlet nozzle



1	Heat exchanger
2	Suspension set
3	Casing
4	Fan
5	Outlet nozzle

Fig. 1: Unit construction

3.2 Operating modes

A room temperature controller with or without a timer regulates the operation of the unit.

EasyTronic EC

The EasyTronic EC is a room temperature controller with a timer. A maximum of 10 TopVent® units can be connected to 1 controller.

Function

- Recording the room temperature with the integrated temperature sensor
 - Optional: Recording the room temperature with the external temperature sensor
- Room temperature control in on/off mode: If the room temperature falls below the setpoint value, the connected TopVent® units switch on. Upon reaching the setpoint value, the units switch off again.
- Lowering of the room temperature setpoint value via week programme
- Controlling the TopVent® units using a door contact switch: The connected units are switched on via door contact if the door is open (digital input).
- Adjusting the fan speed: The required speed can be infinitely adjusted.
- Pump or valve control: The EasyTronic EC provides a signal for switching a pump or a valve (digital output).
- Alarm display
- Connection to the building management system via Modbus RTU

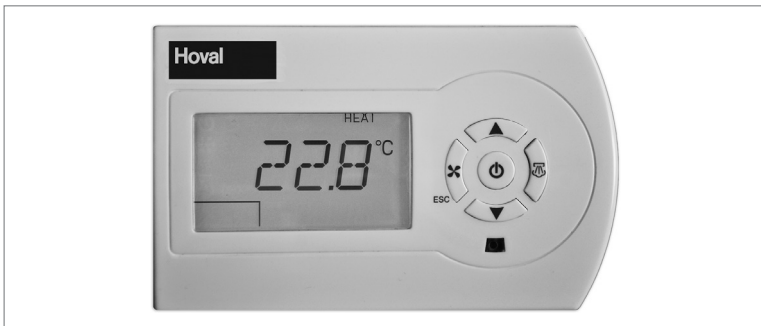


Fig. 2: EasyTronic EC room temperature controller

EasyTronic EC	
Power supply	110...230 VAC, ±10%, 50/60 Hz
Power consumption	max. 1.3 W
Temperature range	0...50 °C
Dimensions (W x H x D)	128 x 80 x 56 mm
Protection rating	IP 30, class 2
Installation	In a flush-mounted box (spacing between mounting holes 83.5 mm) or on the supplied base

Table 1: EasyTronic EC technical data

Room temperature sensor ET-R	
Temperature range	-30...+70 °C
Dimensions (W x H x D)	93 x 70 x 46 mm
Protection rating	IP 65
Installation	In plastic casing for wall mounting

Table 2: EasyTronic EC technical data

EasyTronic TV

The EasyTronic TV is a room temperature controller without a timer. A maximum of 8 TopVent® units can be connected to 1 controller.

Function

- Recording the room temperature with the integrated temperature sensor
- Room temperature control in on/off mode: If the room temperature falls below the setpoint value, the connected TopVent® units switch on. Upon reaching the setpoint value, the units switch off again.
- Adjusting the fan speed: The required speed can be infinitely adjusted.



Fig. 3: EasyTronic TV room temperature controller

EasyTronic TV	
Power supply	230 VAC, ±10%, 50 Hz
Working temperature	0...60 °C
Temperature control range	5...30 °C
Dimensions (W x H x D)	99 x 96 x 43 mm
Casing material	ABS
Protection rating	IP 30
Installation	Wall mounting (surface mounting)

Table 3: Technical data EasyTronic TV

4 Technical data

Maximum operating pressure	1600	kPa
Maximum heating medium temperature	90	°C
Maximum supply air temperature	60	°C
Maximum extract air temperature	50	°C
The units cannot be used in:		
<ul style="list-style-type: none"> ■ Areas where there is danger of explosion ■ Places with a corrosive or aggressive environment ■ Damp locations ■ Spaces with a large amount of dust 		

Table 4: Application limits

4.1 Flow rate, product parameters

Type		TW-2	TW-3	TW-5
Nominal air flow rate	m³/h	1850	3100	4400
Power consumption	kW	0.15	0.18	0.26
Current consumption	A	1.10	1.30	1.90
Supply voltage	V AC	230	230	230
Frequency	Hz	50	50	50
Max. mounting height	m	3.7	3.7	3.7
Max. horizontal reach	m	3.7	3.7	3.7

Table 5: Technical data

4.2 Heat output

Temperature of the heating medium		80/60 °C				60/40 °C			
Type	t_{room}	Q	t_s	Δp_w	m_w	Q	t_s	Δp_w	m_w
	°C	kW	°C	kPa	l/h	kW	°C	kPa	l/h
TW-2	15	11.9	33.8	0.2	500	4.3	21.8	0.04	200
	20	10.5	36.8	0.2	500	3.5	25.6	0.03	200
TW-3	15	22.1	35.9	1.2	1000	12.1	26.4	0.4	500
	20	19.8	39.0	0.9	900	9.5	29.1	0.3	400
TW-5	15	32.6	36.7	3.1	1400	18.9	27.5	1.3	800
	20	29.3	39.8	2.6	1300	15.4	30.4	0.9	700
Legend:	t_{room} = Room air temperature Q = Heat output t_s = Supply air temperature Δp_w = Water pressure drop m_w = Water quantity								

Table 6: Heat output

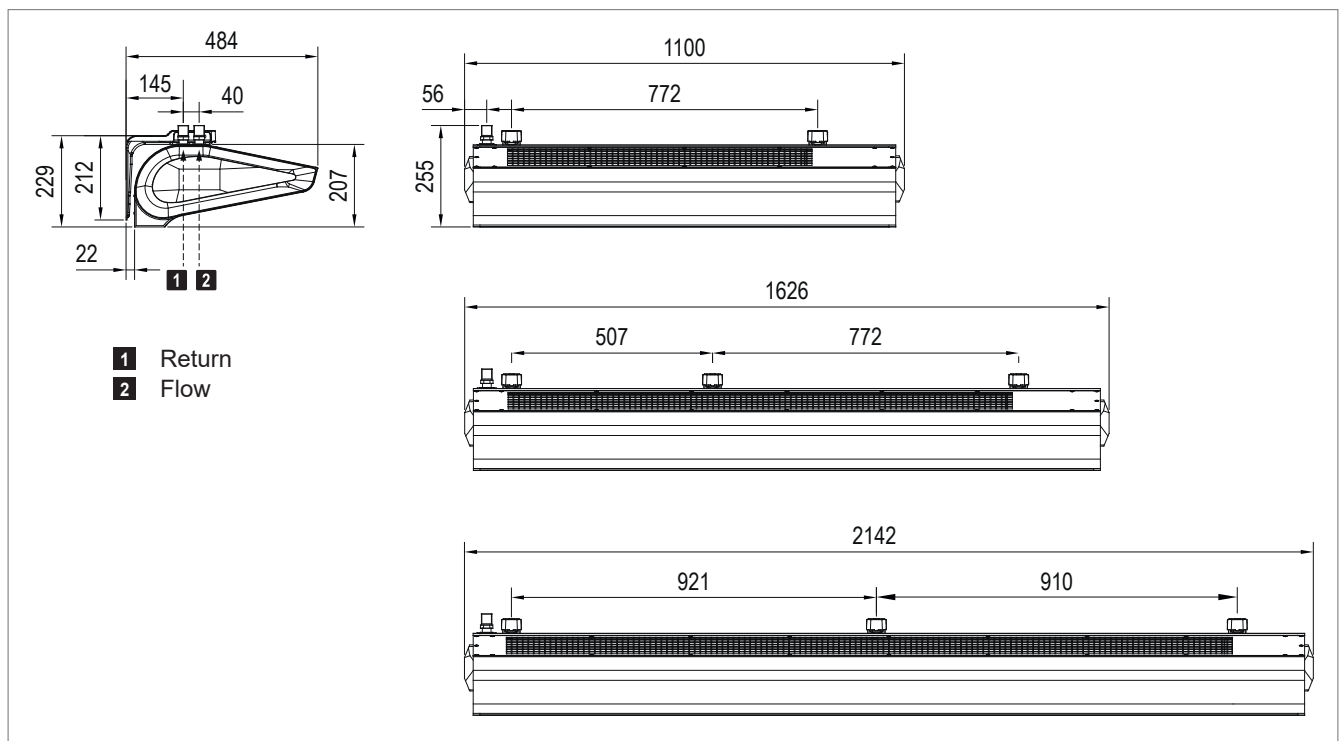
4.3 Sound data

Type		TW-2	TW-3	TW-5
Sound pressure level (at a distance of 5 m) ¹⁾	dB(A)	57.5	58.5	58.5
Total sound power level	dB(A)	79.5	80.5	80.5

¹⁾ Reference: semi-open room

Table 7: Sound levels

4.4 Dimensions and weights



Type		TW-2	TW-3	TW-5
Water content of the coil	l	1.6	2.6	3.6
Connection (external thread)	"	R ¾	R ¾	R ¾
Weight	kg	22.6	31.2	38.8

Table 8: Dimensions and weights

4.5 Specification text

TopVent® TW – Air curtain

Sturdy casing made of galvanised sheet steel, including suspension set for horizontal or vertical installation. Heat exchanger consisting of copper tubes and aluminium fins; tangential fan with highly efficient EC motor, infinitely variable, maintenance-free and quiet, protection rating IP 20, insulation class F; rear-mounted terminal box; air outlet nozzle and side cover consisting of ABS.

5 Transport and installation



Caution

Risk of injury from incorrect handling. Transport, assembly and installation work may only be performed by specialists. Observe safety and accident prevention regulations.

5.1 Delivery

TopVent® TW units are packed in cardboard boxes and delivered on a pallet.

- The scope of delivery includes:
 - TopVent® TW unit
 - Retaining brackets (x2 for TW-2, x3 for TW-3/5)
 - Retainer covers (x2 for TW-2, x3 for TW-3/5)
 - M8 screws with washers (x4 for TW-2, x6 for TW-3/5)
- Ensure that the unit is undamaged.
- Report any missing parts, wrong deliveries and possible transport damage immediately in writing.

5.2 Requirements for the installation site

- Position the units over or next to the door. The air flow must cover the entire door width/height.
- The minimum distance to the ceiling, the floor or the wall is 0.1 m.
- All air inlet and air outlet openings must be freely accessible.

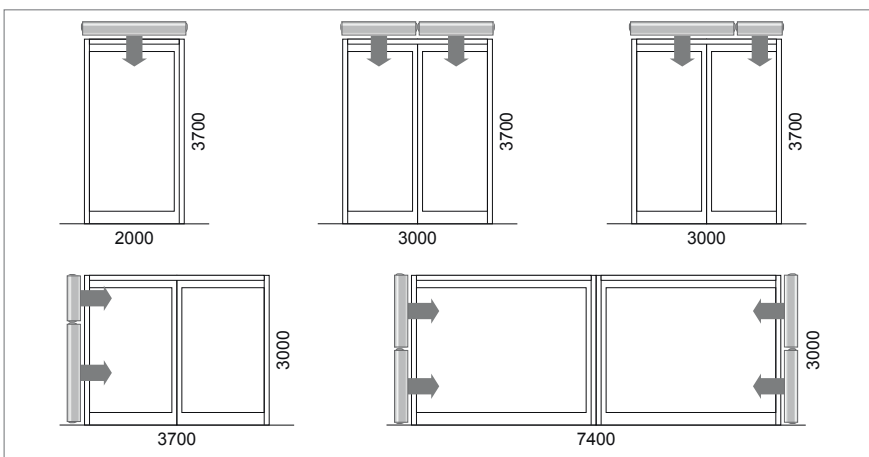


Fig. 4: Examples of horizontal and vertical installation (dimensions in mm)

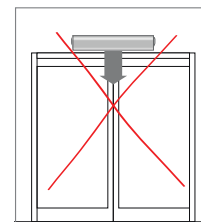


Fig. 5: The air flow must cover the entire opening.

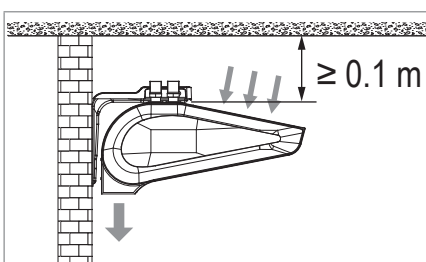


Fig. 6: Minimum distance to the ceiling

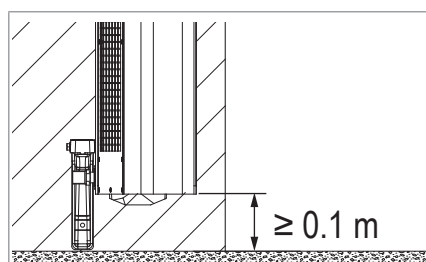


Fig. 7: Minimum distance to the floor

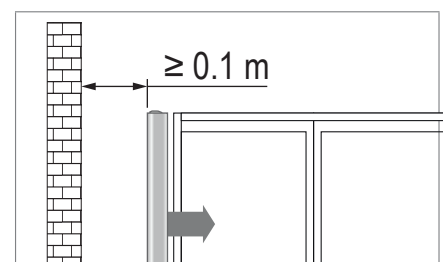


Fig. 8: Minimum distance to the wall

5.3 Installation



Caution

Risk of injury caused by falling load and improper handling. During installation:

- Wear protective equipment (safety helmet, safety goggles, safety shoes).
- Do not stand under suspended loads.
- Use a forklift with sufficient load-bearing capacity.

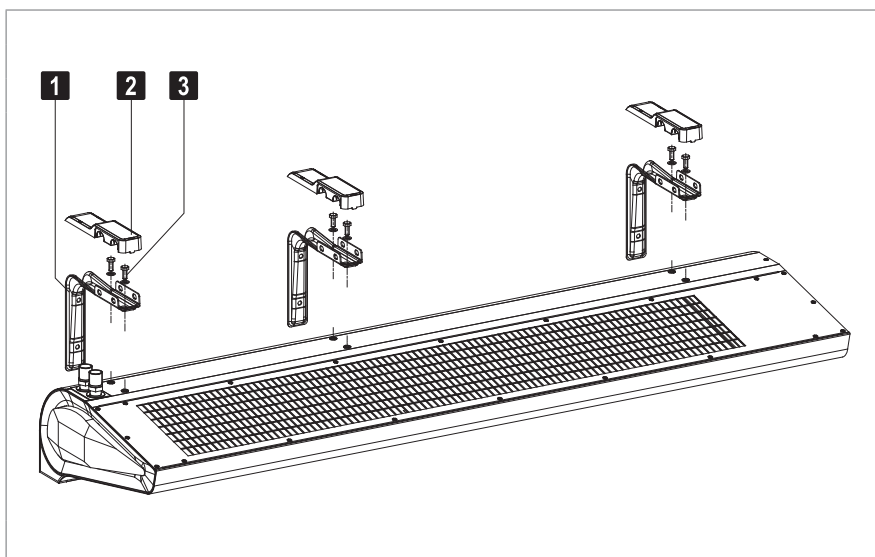
Preparation

- Make sure that the following items are on hand for the assembly:
 - Installation platform
 - Socket wrench, width 13
- The installation variant 1 (horizontal unit, retaining brackets facing downwards) is standard. The screws required for this variant are provided.
- Additional material is required for the other installation variants:
 - Variant 2 (horizontal unit, retaining brackets facing upwards):
M8x55 screws, x4 for TW-2, x6 for TW-3/TW-5
 - Variant 3 (vertical unit):
M8x70 screws, x4 for TW-2, x6 for TW-3/TW-5

Installation

Variant 1: horizontal unit, retaining brackets facing downwards

- Install the retaining brackets **1** on the wall.
 - Use the packaging box as a drilling template.
- Install the unit on the retaining brackets:
 - Lift the unit and secure it with the M8 screws **3**.
 - Attach the retainer covers **2**.

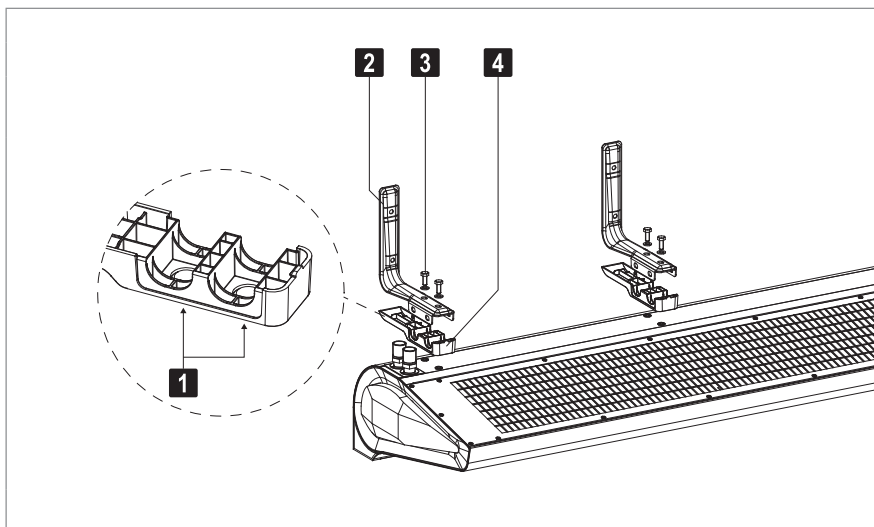


- 1** Retaining bracket
- 2** Retainer cover
- 3** M8x20 screw with washer

Fig. 9: Horizontal installation with retaining brackets facing downwards

Variant 2: horizontal unit, retaining brackets facing upwards

- Install the retaining brackets **2** on the unit:
 - Take a hammer and a screw, and then punch 2 holes from the outside into the retainer covers **4** (see position **1** in Fig. 10).
 - Attach the retainer covers onto the retaining brackets.
 - Fasten the retaining brackets with the M8 screws **3** onto the unit.
- Install the unit on the wall.
 - Use the packaging box as a drilling template.

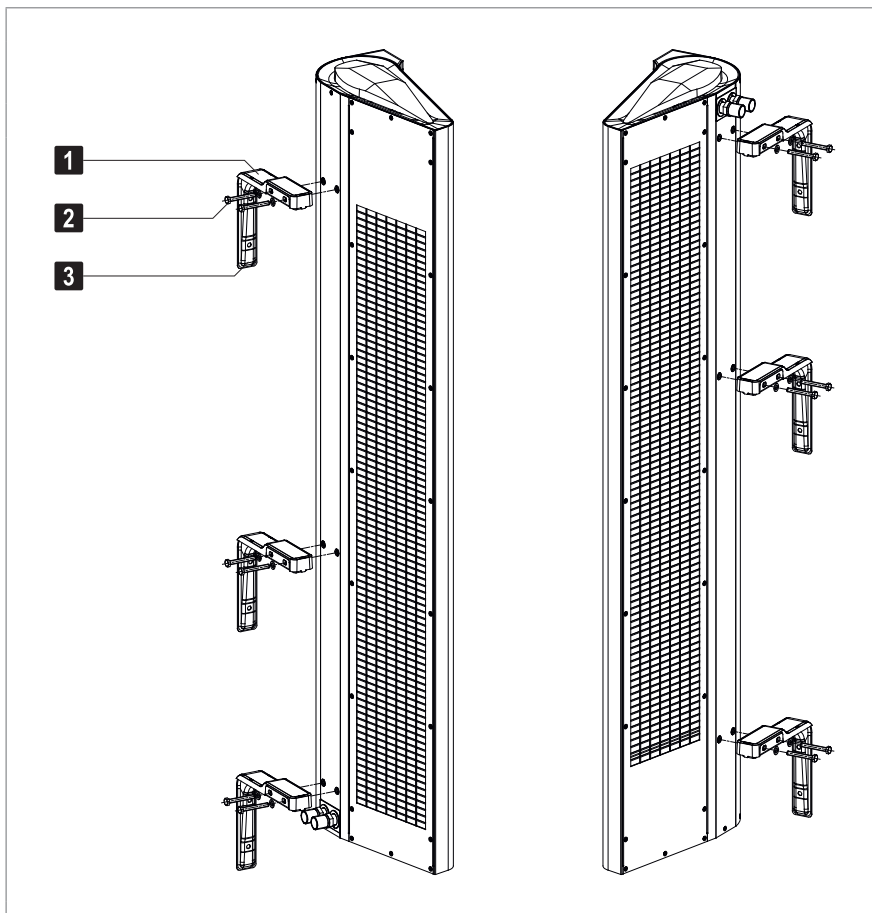


- | | |
|----------|---|
| 1 | Position of the holes |
| 2 | Retaining bracket |
| 3 | M8x55 screw with washer (not included in the scope of delivery) |
| 4 | Retainer cover |

Fig. 10: Horizontal installation with retaining brackets facing upwards

Variant 3: vertical unit

- Install the retaining brackets **3** on the unit:
 - Attach the retainer covers **1** onto the retaining brackets.
 - Fasten the retaining brackets with the M8 screws **2** onto the unit.
- Install the unit on the wall.
 - Use the packaging box as a drilling template.



- 1** Retainer cover
- 2** M8x70 screw with washer (not included in the scope of delivery)
- 3** Retaining bracket

Fig. 11: Vertical installation

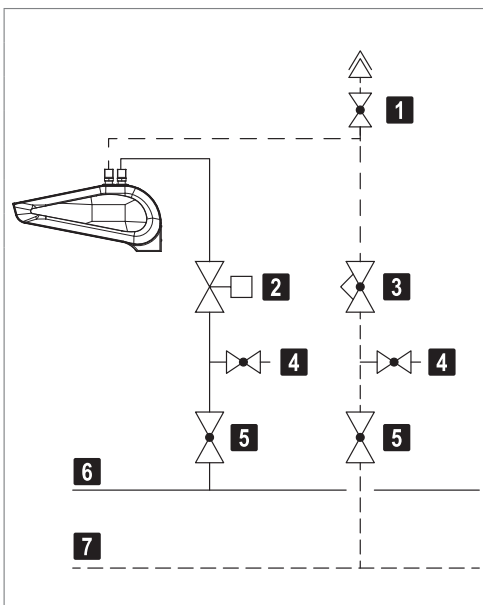
5.4 Hydraulic installation

- Connect the heating coil according to the hydraulic circuit diagram.
- Depending on local conditions, check whether compensators for linear expansion are required for the supply and return lines and/or articulated connections are required for the units.
- Insulate the hydraulic lines.
- Hydraulically balance the pipework for the the individual units within a control zone to ensure even distribution.



Attention

Danger of damaging the units. Do not fasten any loads to the coil, e.g. by means of the flow or return lines.



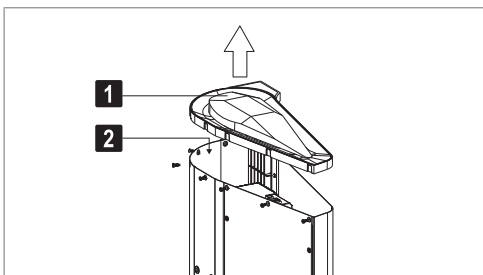
- | | |
|---|------------------------|
| 1 | Air vent with shut-off |
| 2 | Control valve |
| 3 | Balancing valve |
| 4 | Drain valves |
| 5 | Shut-off valves |
| 6 | Flow |
| 7 | Return |

Fig. 12: Connecting the heating coil

Ventilation

If the TopVent® TW unit is installed horizontally or vertically on the right side of the door, the heating coil is ventilated automatically. If the unit is installed vertically on the left side of the door (with the connection at the bottom), proceed as follows:

- Unscrew the top side cover.
- Ventilate the unit via the venting valve underneath.
- Reinstall the side cover.



- | | |
|---|---------------|
| 1 | Side cover |
| 2 | Venting valve |

Fig. 13: Connecting the heating coil

5.5 Electrical installation



Caution

Danger of electric shocks. The electrical installation must only be carried out by a qualified electrician.

Please note the following:

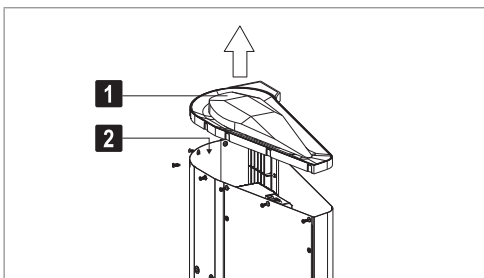
- Observe all relevant regulations.
- Choose the dimensions of the cable cross sections in line with the applicable regulations.
- Carry out the electrical installation according to the wiring diagram.
- Route the signal lines separately from the supply lines.
- Secure all connections against working loose.

Proceed as follows:

- Unscrew the top side cover.
- Connect the power supply and the fan control.
- Reinstall the side cover.
- Options for EasyTronic EC:
 - Wire the external room temperature sensor to the EasyTronic EC.
 - Wire the door contact to the EasyTronic EC.
 - Wire the pump/valve control to the EasyTronic EC.
 - Wire the building management system to the EasyTronic EC.

Designation	Voltage	Cable	Comments
Power supply for TopVent®	1 × 230 VAC	NYM 3 × 1.5 mm ² (min.)	
Power supply EasyTronic EC/TV	1 × 230 VAC	NYM 2 × 1.5 mm ² (min.)	
Fan control	0-10 VDC	NYM 2 × 1.0 mm ²	
External room temperature sensor		J-Y(St)Y 2 × 2 × 0.8 mm	shielded, max. 30 m length
Door contact	24 VDC	NYM 2 × 1.0 mm ²	
Pump / Valve control	Volt-free	NYM ... × 1.5 mm ² (min.)	max. 3 A
	max. 230 VAC		
	max. 24 VDC		
Modbus RTU		J-Y(St)Y 2 × 2 × 0.8 mm	max. 300 m length

Table 9: Cable list for on-site connections



- 1 Side cover
- 2 Terminal strip

Fig. 14: Unscrewing the side cover to access to the terminal strip

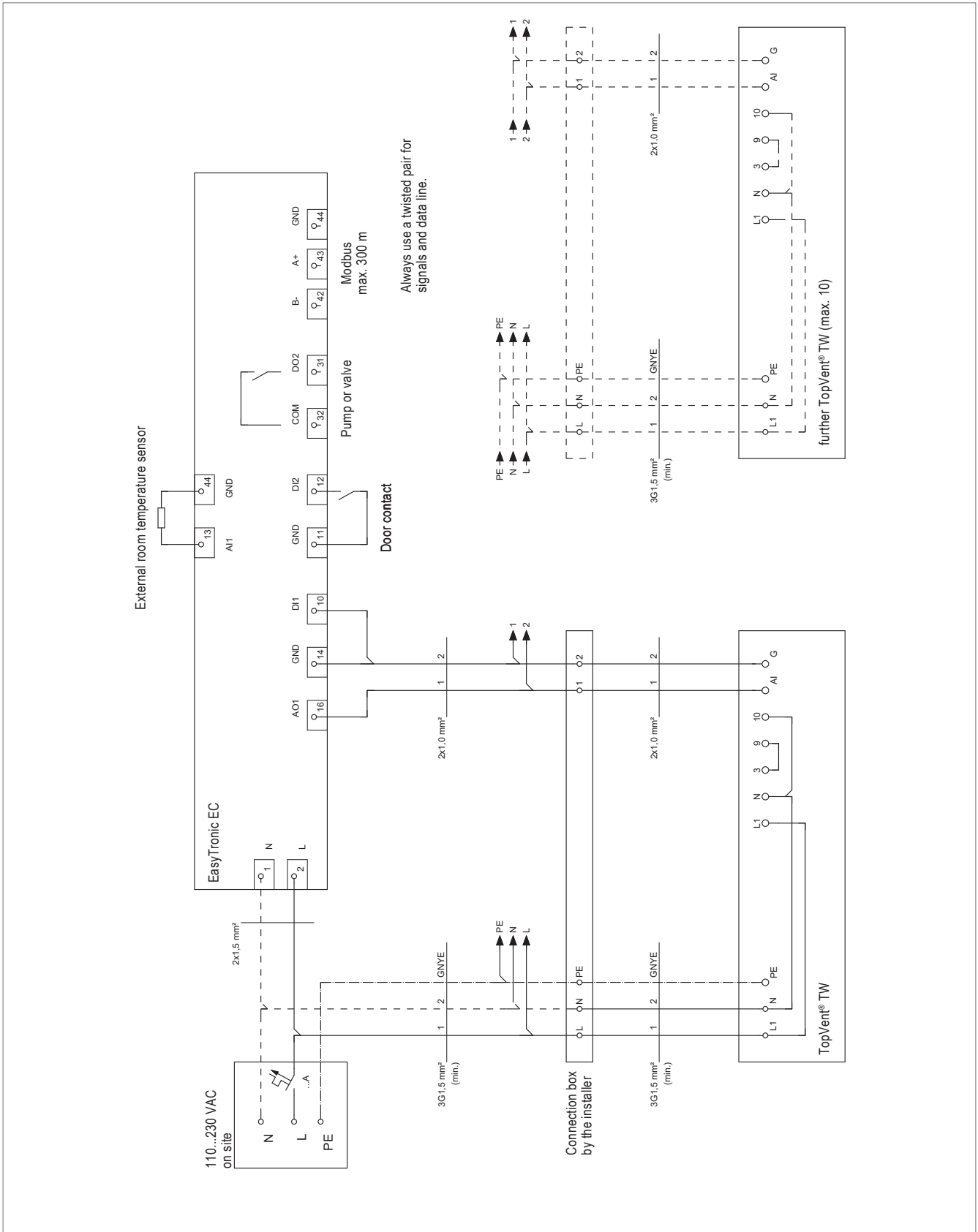


Fig. 15: Wiring diagram TopVent® TW with EasyTronic EC

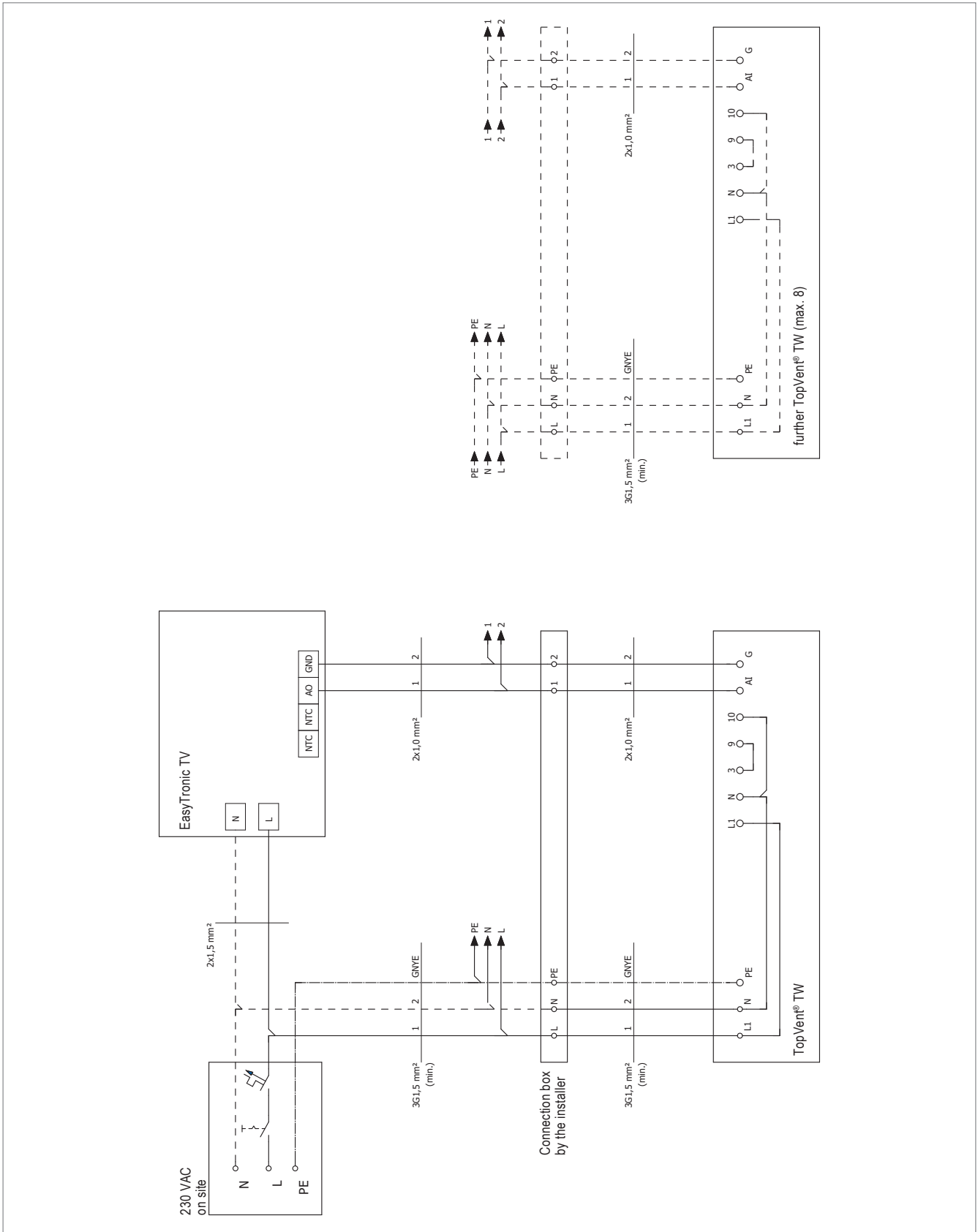


Fig. 16: Wiring diagram TopVent® TW with EasyTronic TV

Installation EasyTronic EC

- Follow the installation instructions included.

Installation EasyTronic TV

- Install the room temperature controller:
 - In the occupied area, at a height of about 1.5 m
 - Not near sources of heat or cold (windows, doors, machines, etc.)
 - Protected from sunlight
- Detach the casing base (e.g. using a screw driver).
- Break through the casing base along the perforation.
- Insert the cables through this opening.
- Connect the cables to the connectors.
- Screw the base onto a flush-mounted box (60 × 60 mm).
- Place the device on the base.
- Set the slide switch to the 'A+T' position.

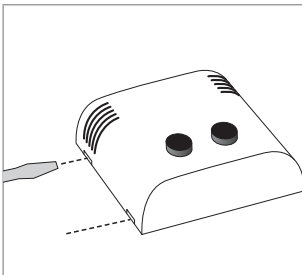


Fig. 17: Opening the casing

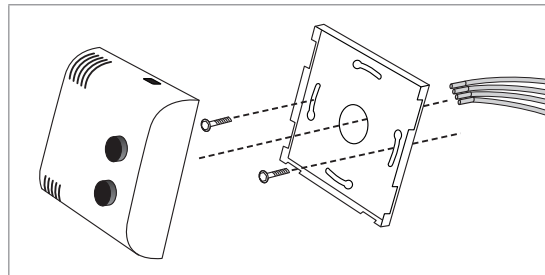


Fig. 18: Installing the EasyTronic TV

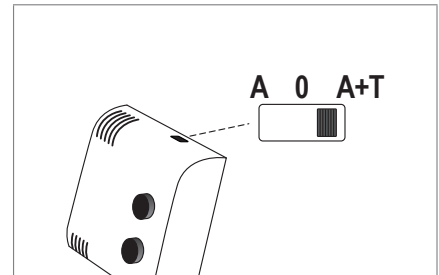


Fig. 19: Position of the slide switch

6 Operation

6.1 Initial commissioning

**Attention**

Risk of damage to property as a result of performing initial commissioning on your own authority. Initial commissioning must be performed by the manufacturer's customer service technicians.

Preparing for initial commissioning:

Checklist:

- Have all the media connections been made (electric cabling and water piping)?
- Is the heating medium available?
- Are the hydraulics aligned and balanced?
- Are all the control components installed and wired?
- Are all of the respective trade groups (installer, electrician, etc.) present at the scheduled time?
- Are the system operating personnel present for training at the scheduled time?

6.2 Operation

The system runs automatically.

- Observe the operating instructions for the control system.
- Ensure free air outlet.

7 Maintenance and repair



Caution

Risk of injury from incorrect work. Maintenance work must be carried out by trained personnel.

7.1 Safety

Before performing any work on the unit:

- Turn the on-site main switch to the 'Off' position and secure it against being switched back on.
- Wait at least 5 minutes after switching the unit off.



Caution

The use of condensers can pose a danger of fatal injury from directly touching live parts even after the unit is switched off. Only open the unit after waiting 5 minutes.

- Observe the accident prevention regulations.
- Observe the particular dangers involved when working on electrical systems.
- When working in the unit, take precautions against unprotected, sharp metal edges.
- Immediately replace damaged or removed informational and warning signs.
- Following maintenance work, professionally reassemble all dismantled protective devices.

7.2 Maintenance

Maintenance schedule

Activity	Interval
Cleaning the heat exchanger	If required, at least once per year before the heating season
Check function	1 x per year

Cleaning the heat exchanger

- Carefully clean the heat exchanger with compressed air.
 - Dismantle the air inlet grille for cleaning.
 - Ensure that you do not damage the fins.

7.3 Repair

If repairs are necessary, contact the manufacturer's customer service department.

8 Dismantling

**Caution**

Risk of injury caused by falling load and improper handling.

- Wear protective equipment (fall protection, safety helmet, safety shoes)
- Do not stand under suspended loads.

- Disconnect the power supply to the unit.
- Wait at least 5 minutes after switching the unit off.

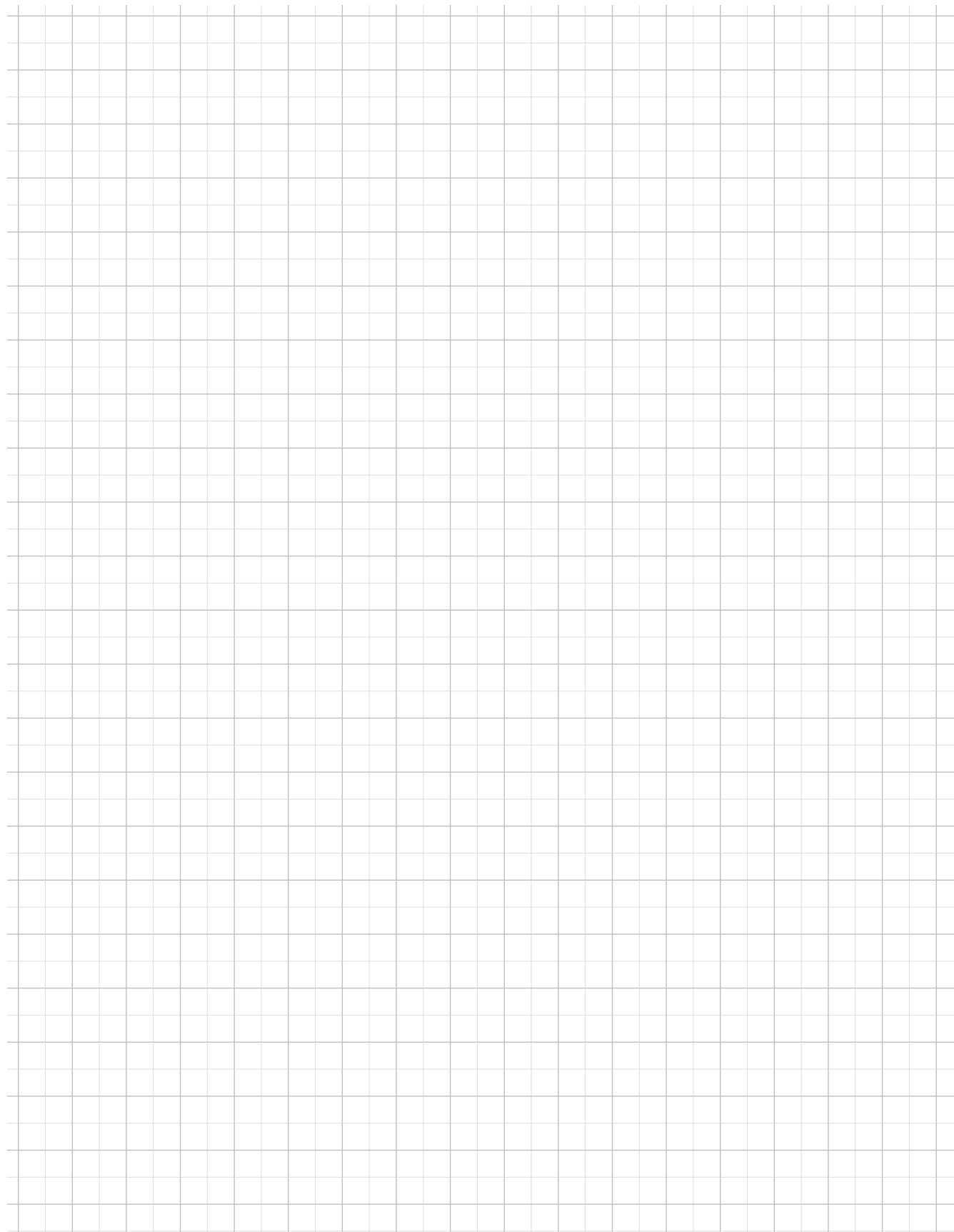
**Caution**

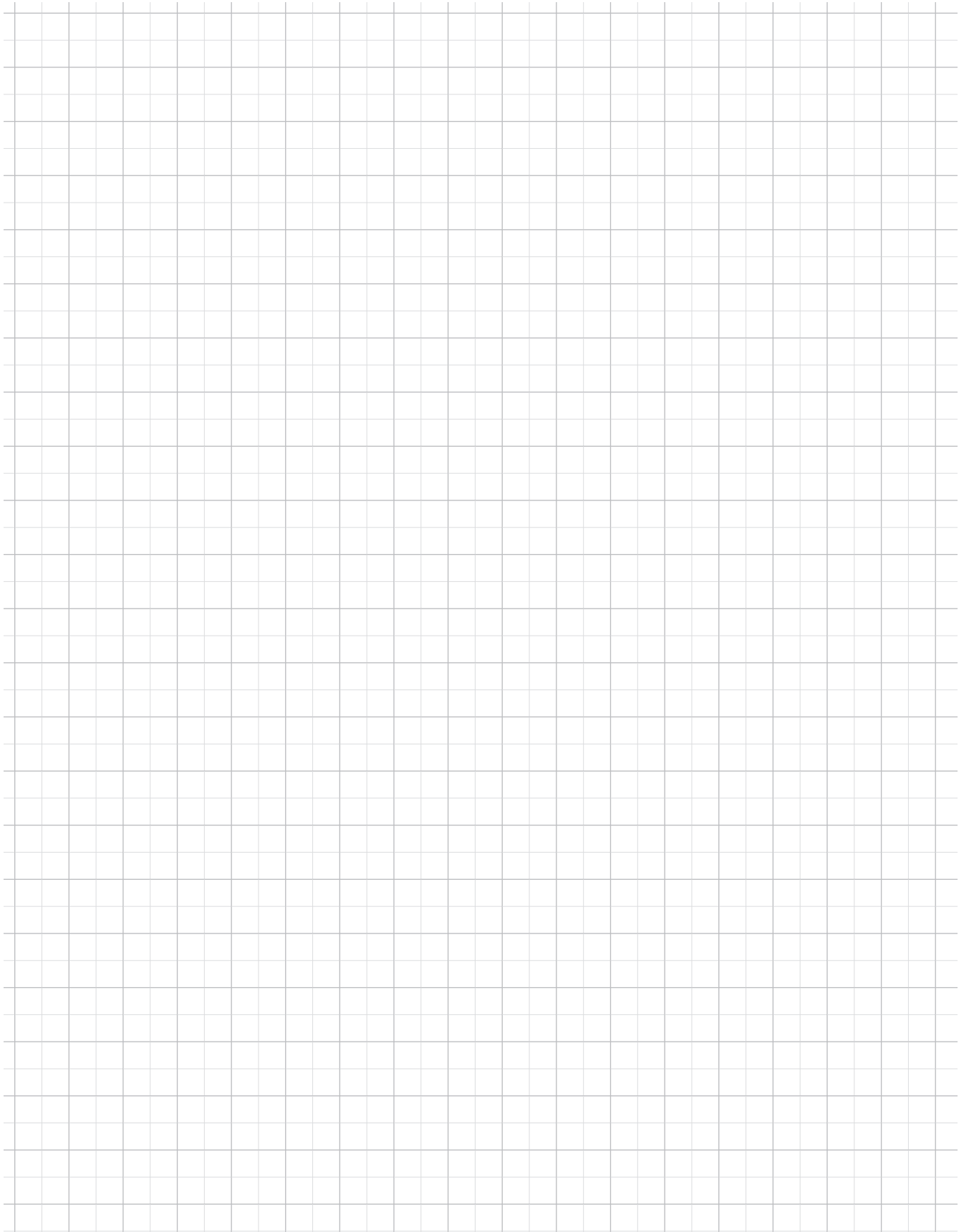
The use of condensers can pose a danger of fatal injury from directly touching live parts even after the unit is switched off. Only open the unit after waiting 5 minutes.

- Drain the heating medium circuit.
- Dismantle all media connections.
- Disconnect the unit from any fastenings.
- Remove the unit.

9 Disposal

- Recycle metal components.
- Recycle plastic parts.
- Dispose of electric and electronic parts via hazardous waste.
- If required, dispose of oil-fouled parts in accordance with local regulations.





International

Hoval Aktiengesellschaft
9490 Vaduz
Liechtenstein
Tel. +423 399 24 00
info.klimatechnik@hoval.com
www.hoval.com

United Kingdom

Hoval Ltd.
Northgate, Newark
Notts
NG24 1JN
Tel. 01636 672711
info.uk@hoval.com
www.hoval.co.uk